



# TA50/55/60

## FEATURES

- Working Height up to 64.8 ft and Side Reach up to 40.1 ft
- 600 lb Platform Capacity Regardless of Jib Capacity
- 4-Function Single Handle Upper Control
- Altec ISO-Grip® Control System
- Fiberglass Upper Boom & Lower Boom Insulator
- Insulated Aerial Device
- Continuous Rotation
- Articulating Arm Provides Upper Boom Compensation
- Hydraulic Platform Rotation and Tilt
- Full Pressure, Open Center Hydraulic System
- A-Frame Primary Outriggers
- Outrigger Motion Alarm and Outrigger Interlocks
- Two Sets of Hydraulic Tool Circuits at Platform
- Diagnostic Pressure Test Quick Disconnect Couplings
- Emergency Stop Valves at All Upper and Lower Control Stations
- Lower Boom Lifting Eye

## OPTIONS

- Rear or Behind Cab Mount
- Altec ARM System
- Hydraulic Extend Jib
- 2-Man Platform with 180° Rotation
- Engine Start/Stop
- Remote Secondary Stowage
- Jib Adapter
- Phase Lifting Jib Attachment
- Auxiliary Outriggers
- Manual Throttle
- Platform Covers
- Intensifier at Boom Tip
- Tool Circuit Below Rotation
- Platform Elevator
- Lanyard Detection System Available on Select Platform Configurations

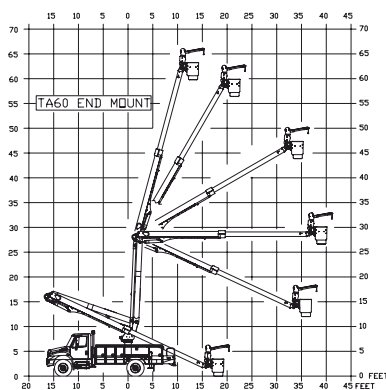
Recommended safety equipment, available through Altec Supply, include a platform liner, fall protection system, wheel chocks and outrigger pads.

## CONFIGURATIONS

	TA50	TA55	TA60
Ground to Bottom of Platform*	49.5 ft (15.1 m)	54.4 ft (16.6 m)	59.8 ft (18.2 m)
Working Height*	54.5 ft (16.6 m)	59.4 ft (18.1 m)	64.8 ft (19.8 m)
Maximum Side Reach at Platform Height	36.2 ft (11.0 m) 19.9 ft (6.1 m)	38.3 ft (11.7 m) 22.7 ft (6.9 m)	40.1 ft (12.2 m) 26.6 ft (8.1 m)
Stowed Travel Height*	11.9 ft (3.6 m)	11.4 ft (3.5 m)	
Platform Capacity, Single 2-man	600 lb (272.2 kg)		
Upper Boom Articulation	-25° to 75°		
Articulating Arm Articulation	5.25° to 92.5°	0° to 92.5°	
Rotation	Continuous		
*Based on a 40 in (1016 mm) chassis frame height.			



## REACH DIAGRAM



## OPTIONAL ALTEC ARM SYSTEM

PROVIDES THE UNIQUE ABILITY TO HANDLE MATERIAL ON EITHER SIDE OF THE BOOM TIP



## PLATFORM ELEVATOR

OPTIONAL 24 INCH PLATFORM ELEVATOR ALLOWS FOR EASY ADJUSTMENT OF PLATFORM POSITION



## TAURUS POWERTRONICS PVT LIMITED

Corp. Off.: No. 26, "Mahadimane", 12th Main, 1st Block, Rajajinagar, Bengaluru - 560 010. INDIA

Sales & Service Off.: No. 648/54, KLE College Road, 2nd Block, Rajajinagar, Bengaluru - 560 010

Tel: +91 7349644344, Email: info@tauruspowertronics.com, enquiry@tauruspowertronics.com

www.tauruspowertronics.com

BENGALURU

DELHI

KOLKATA

MUMBAI